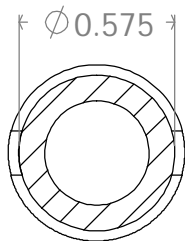
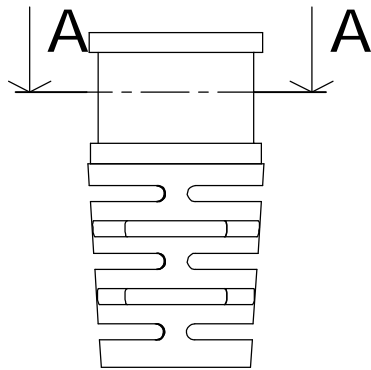
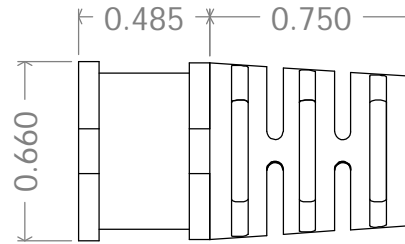
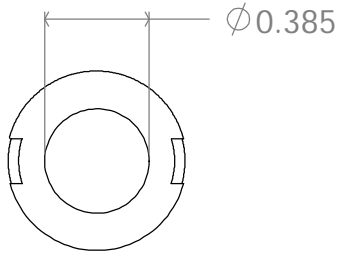
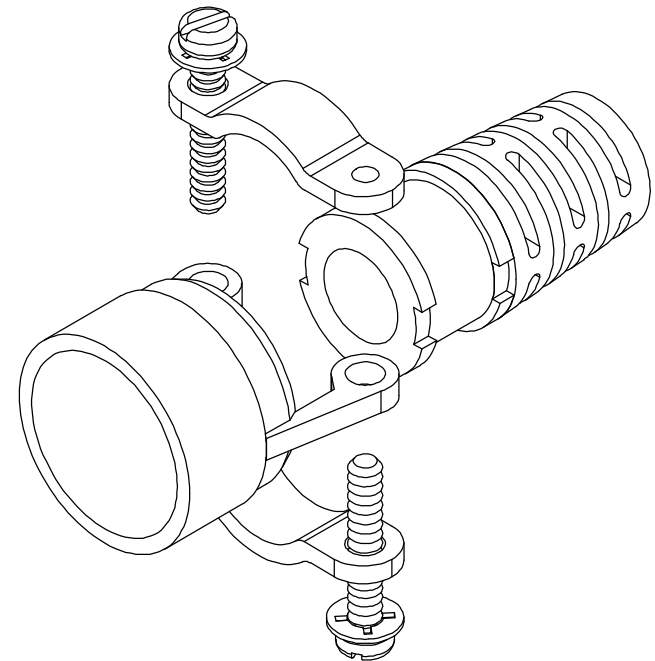
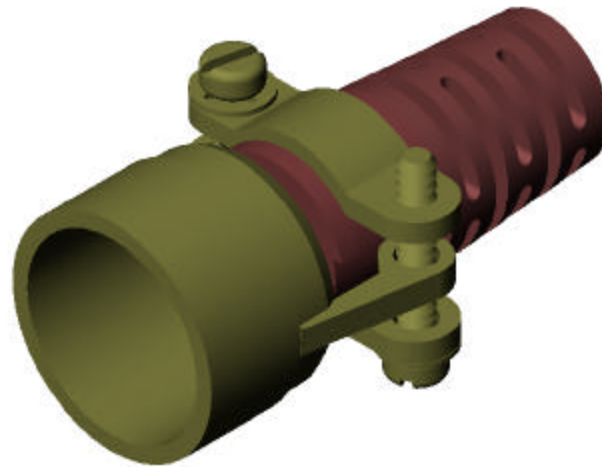


| REVISIONS | | DATE | APPROVED |
|-----------|------|-------------|----------|
| ZONE | REV. | DESCRIPTION | |
| | | | |
| | | | |



A-A



Dimensions are subject to change.

PROPRIETARY AND CONFIDENTIAL

THE INFORMATION CONTAINED IN THIS DRAWING IS THE SOLE PROPERTY OF ISC ENGINEERING. ANY REPRODUCTION IN PART OR AS A WHOLE WITHOUT THE WRITTEN PERMISSION OF ISC ENGINEERING IS PROHIBITED.

| | | | | | | |
|-------------|---------|---|----------|------------|---------|--|
| | | DIMENSIONS ARE IN INCHES TOLERANCES: FRACTIONAL \pm ANGULAR: MACH \pm BEND \pm TWO PLACE DECIMAL \pm THREE PLACE DECIMAL \pm | | NAME | DATE | ISC Engineering 157 Stare St. Pomona, CA 91767 Ph: 909-596-3315 Fax: 909-596-3335 www.iscengineering.com www.OvermoldTooling.com |
| | | DRAWN | R FIERRO | 05/12/03 | | |
| | | CHECKED | | | | |
| | | ENG APPR. | | | | |
| | | MFG APPR. | | | | |
| | | | | | | Q.A. |
| | | | | | | COMMENTS: |
| NEXT ASSY | USED ON | MATERIAL | -- | | | 851 Series Backshell w/Multiflex Strain Relief |
| | | FINISH | -- | | | |
| APPLICATION | | DO NOT SCALE DRAWING | | | | SIZE A |
| | | | | SCALE: 2:1 | WEIGHT: | DWG. NO. |
| | | | | | | REV. |
| | | | | | | SHEET 1 OF 1 |